



# Black Oak Foundry

4757 South Crestview Road  
Atoka, OK 74525  
(949) 305-7372

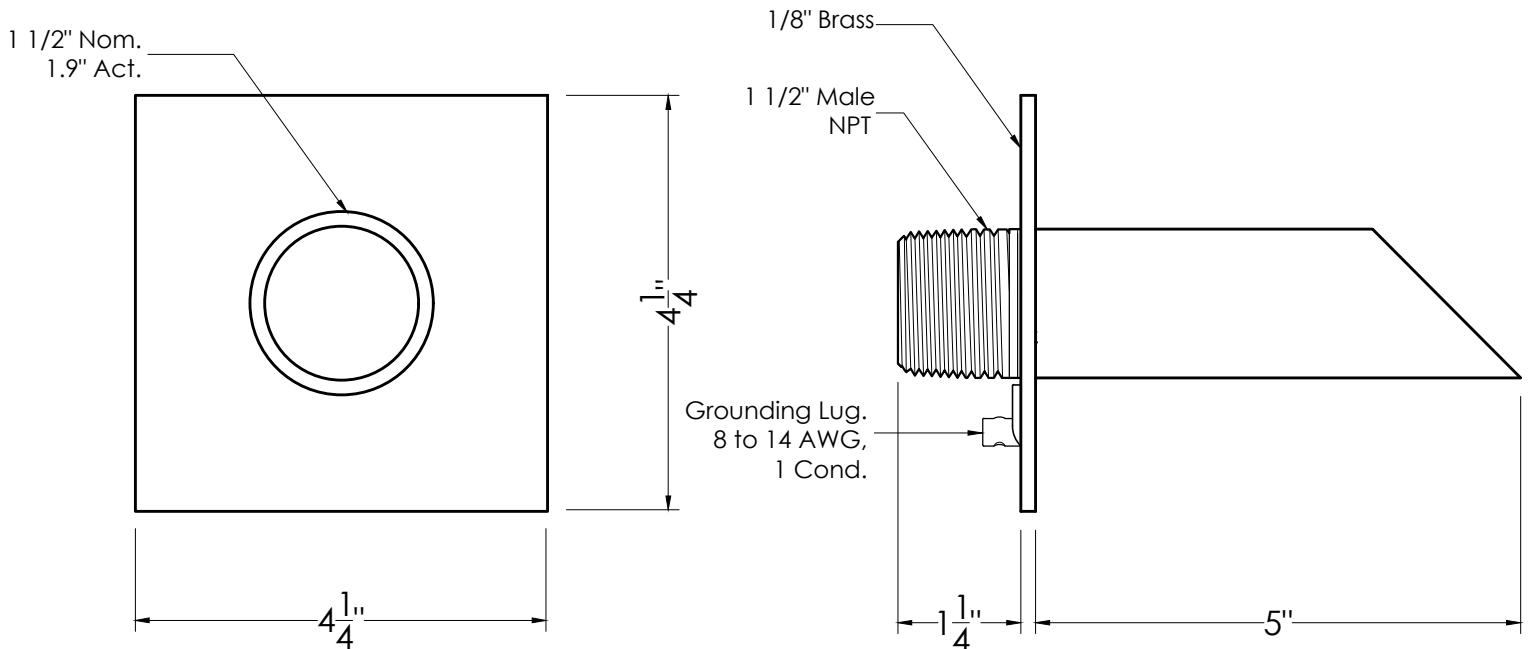
Sales@BlackOakFoundry.com  
www.BlackOakFoundry.com



## Deco Wall Scupper w/ Square Backplate - 1.5"

SKU: S921

NOT TO SCALE



### SPECIFICATIONS:

Product Weight : 1.5 lbs  
Product Dimensions : 5 in. Projection x 4 1/4 in. Square Black Plate  
Material : Brass  
Connection : 1-1/2 in. Male NPT  
Flow : 3-5 GPM  
Grounding Lug : Yes

### FINISHES:

Oil Rubbed Bronze     Pewter  
 Almost Black     Penny Copper  
 Distressed Copper     In The Raw  
 Antique Brass     Special Finish

<https://blackoakfoundry.com/product/deco-brass-wall-scupper-w-square-backplate-1-5/>

### NOTES:

1. Installation to be completed in accordance to all applicable building codes.
2. Actual product may vary slightly from this drawing.