



Black Oak Foundry

4757 South Crestview Road
Atoka, OK 74525
(949) 305-7372

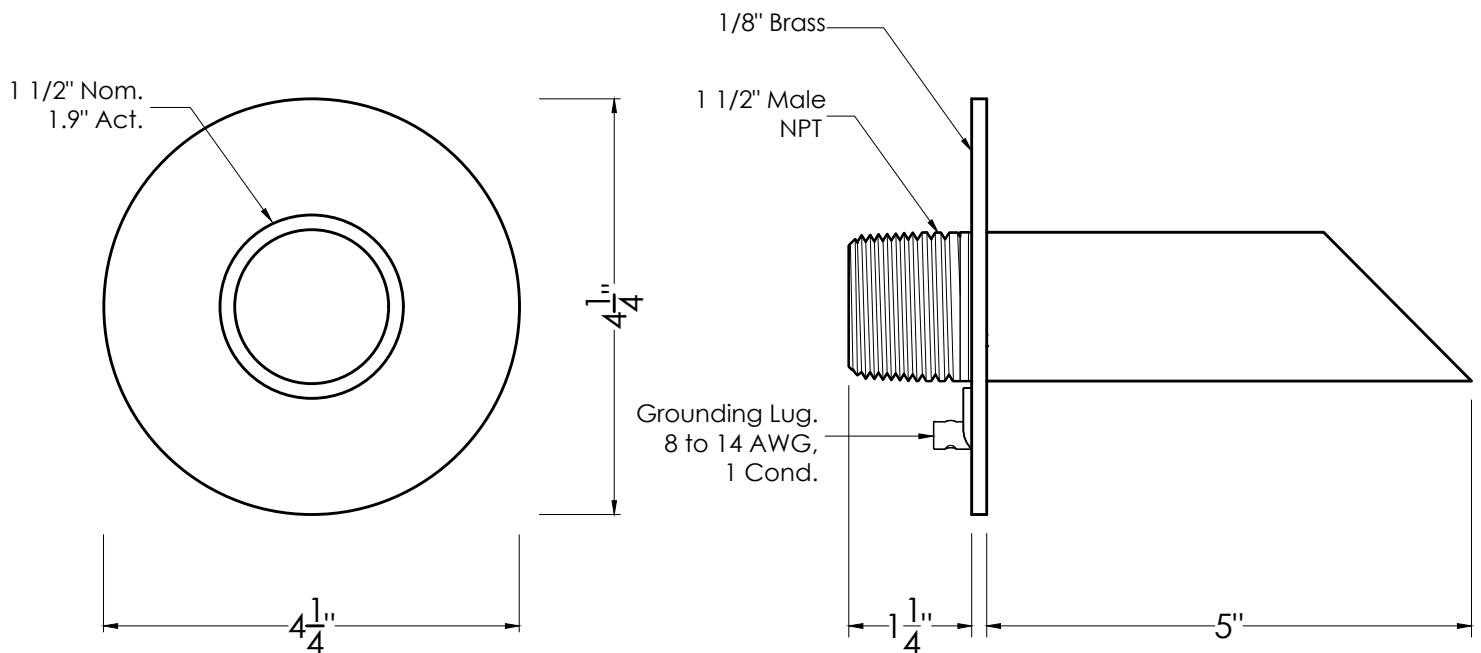
Sales@BlackOakFoundry.com
www.BlackOakFoundry.com



Deco Wall Scupper w/ Round Backplate - 1.5"

SKU: S901

NOT TO SCALE



SPECIFICATIONS:

Product Weight	:	1.5 lbs
Product Dimensions	:	5 in. Projection x 4 1/4 in. Round Back Plate
Material	:	Brass
Connection	:	1-1/2 in. Male NPT
Flow	:	3-5 GPM
Grounding Lug	:	Yes

FINISHES:

<input type="checkbox"/> Oil Rubbed Bronze	<input type="checkbox"/> Pewter
<input type="checkbox"/> Almost Black	<input type="checkbox"/> Penny Copper
<input type="checkbox"/> Distressed Copper	<input type="checkbox"/> In The Raw
<input type="checkbox"/> Antique Brass	<input type="checkbox"/> Special Finish

<https://blackoakfoundry.com/product/deco-brass-wall-scupper-w-round-backplate-1-5/>

NOTES:

1. Installation to be completed in accordance to all applicable building codes.
2. Actual product may vary slightly from this drawing.