



# Black Oak Foundry

4757 South Crestview Road  
Atoka, OK 74525  
(949) 305-7372

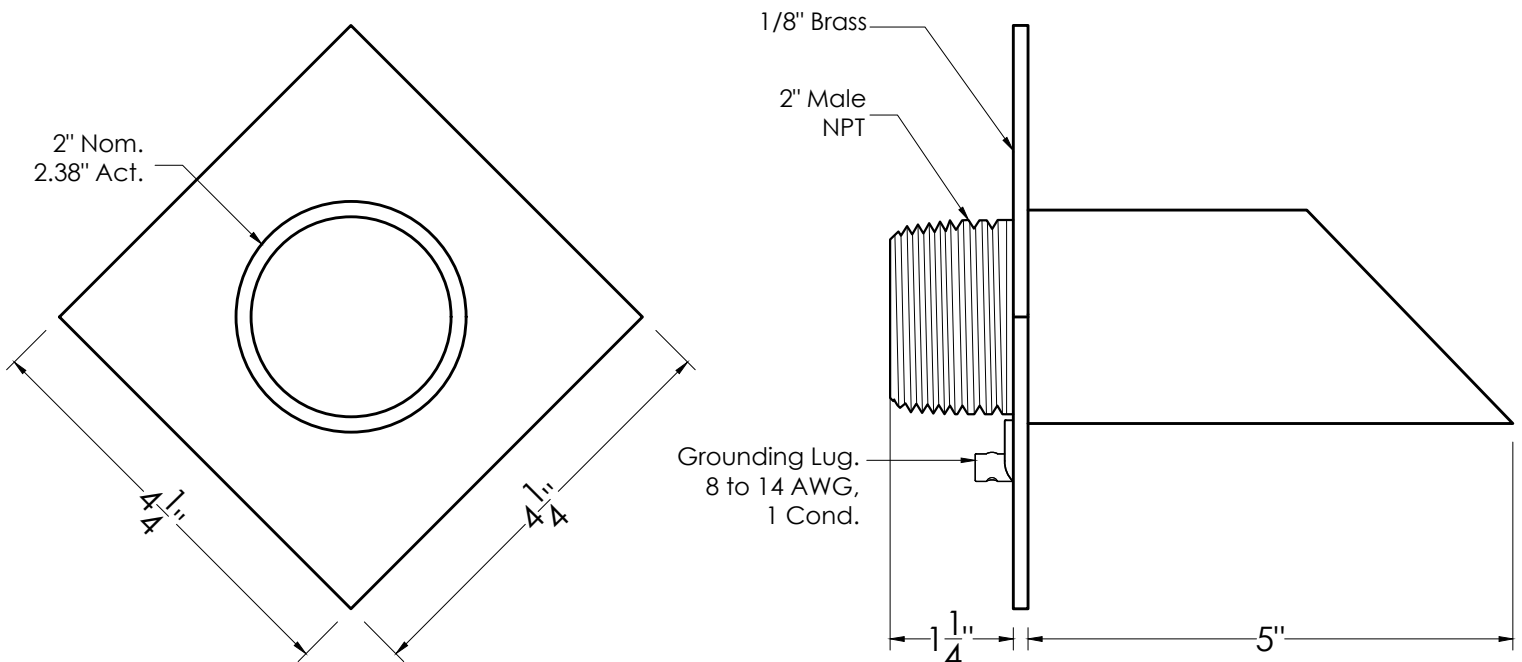
Sales@BlackOakFoundry.com  
www.BlackOakFoundry.com



## Deco Wall Scupper w/ Diamond Backplate - 2"

SKU: S912

NOT TO SCALE



### SPECIFICATIONS:

Product Weight : 2.5 lbs  
 Product Dimensions : 5 in. Projection x 4 1/4 in. Diamond Back Plate  
 Material : Brass  
 Connection : 2 in. Male NPT  
 Flow : 3-8 GPM  
 Grounding Lug : Yes

### FINISHES:

- |  |   |
|--|---|
| <input type="checkbox"/> Oil Rubbed Bronze | <input type="checkbox"/> Pewter         |
| <input type="checkbox"/> Almost Black      | <input type="checkbox"/> Penny Copper   |
| <input type="checkbox"/> Distressed Copper | <input type="checkbox"/> In The Raw     |
| <input type="checkbox"/> Antique Brass     | <input type="checkbox"/> Special Finish |

<https://blackoakfoundry.com/product/deco-wall-scupper-wdiamond-backplate-2/>

### NOTES:

1. Installation to be completed in accordance to all applicable building codes.
2. Actual product may vary slightly from this drawing.