



# Black Oak Foundry

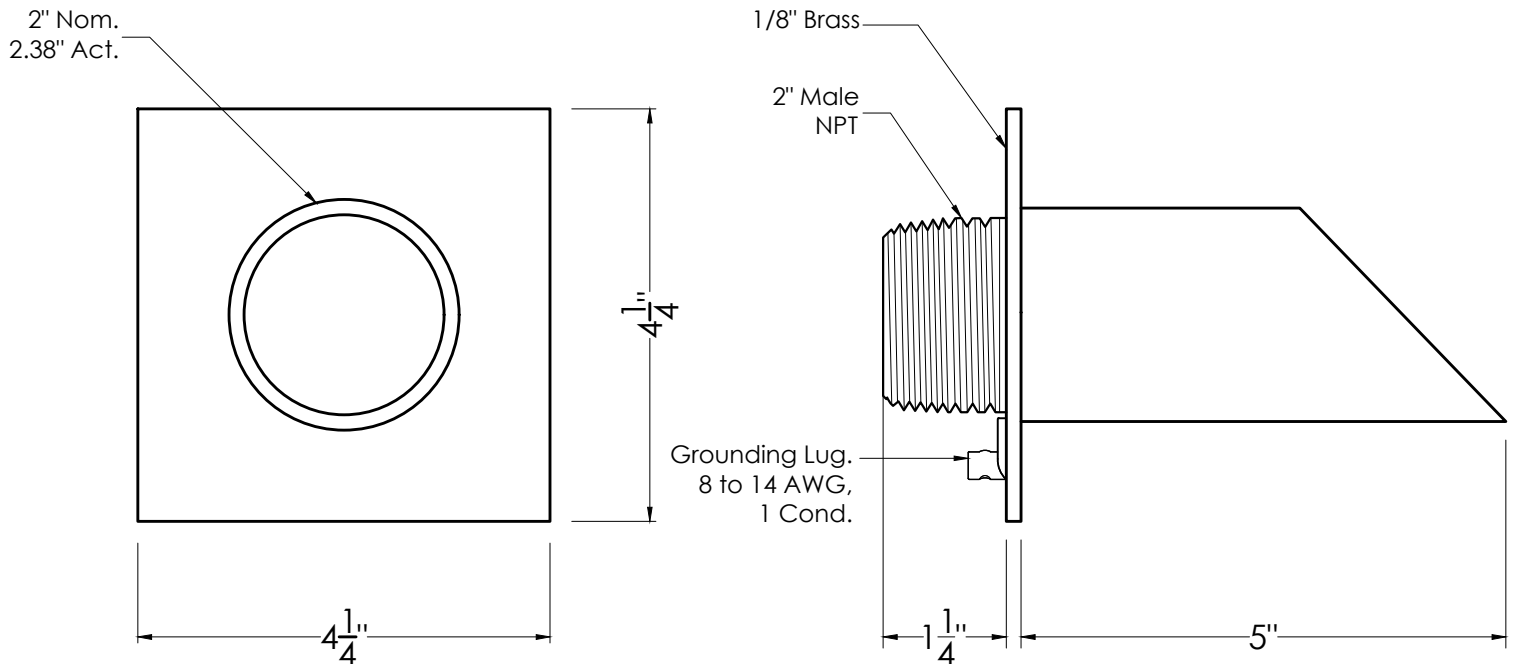
4757 South Crestview Road  
 Atoka, OK 74525  
 (949) 305-7372  
 Sales@BlackOakFoundry.com  
 www.BlackOakFoundry.com



## Deco Wall Scupper w/ Square Backplate - 2"

SKU: S923

NOT TO SCALE



### SPECIFICATIONS:

Product Weight : 2.5 lbs  
 Product Dimensions : 5 in. Projection x 4 1/4 in. Square Back Plate  
 Material : Brass  
 Connection : 2 in. Male NPT  
 Flow : 3-8 GPM  
 Grounding Lug : Yes

### FINISHES:

- Oil Rubbed Bronze
- Almost Black
- Distressed Copper
- Antique Brass
- Pewter
- Penny Copper
- In The Raw
- Special Finish

<https://blackoakfoundry.com/product/deco-wall-scupper-wsquare-backplate-2/>

### NOTES:

1. Installation to be completed in accordance to all applicable building codes.
2. Actual product may vary slightly from this drawing.