



Black Oak Foundry

4757 South Crestview Road

Atoka, OK 74525

(949) 305-7372

Sales@BlackOakFoundry.com

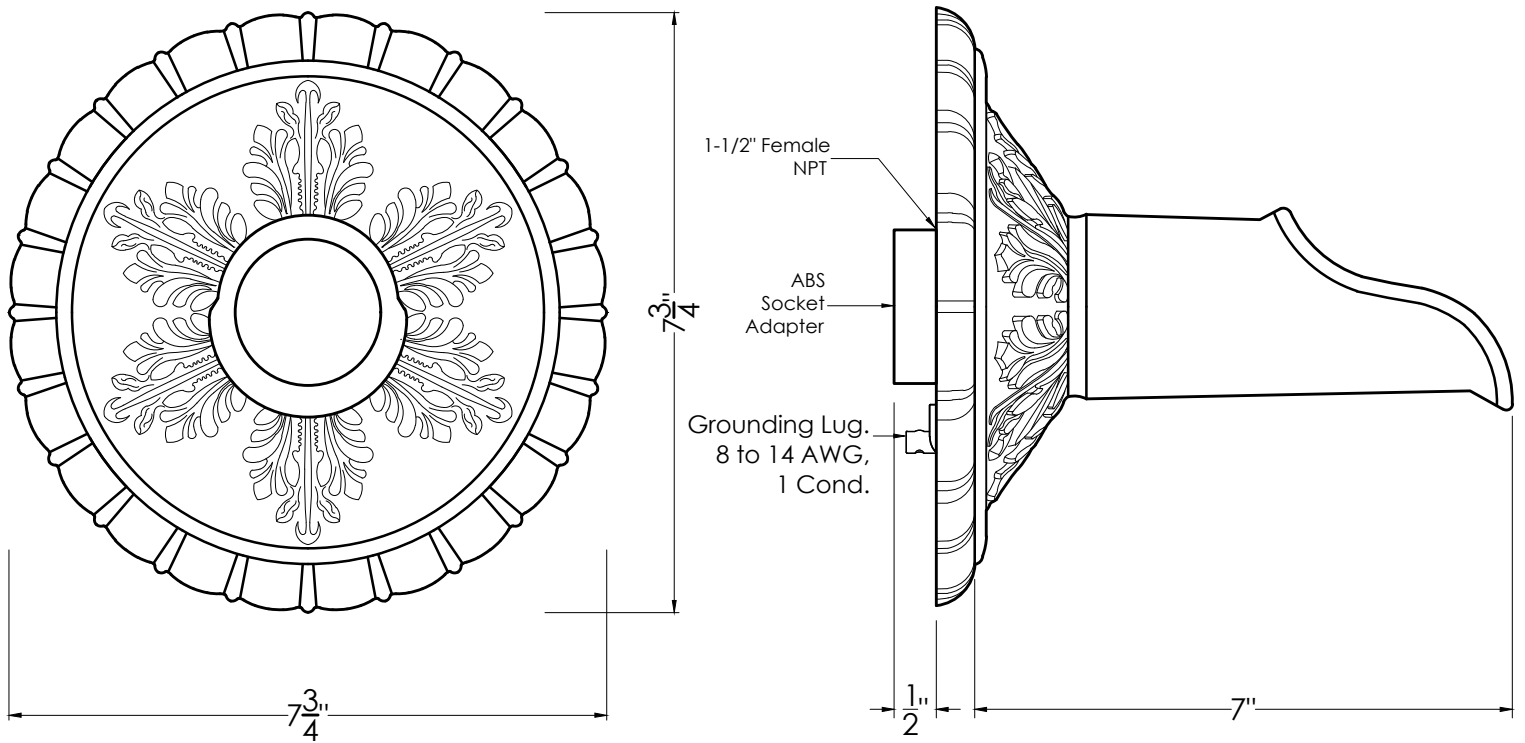
www.BlackOakFoundry.com



Acanthus Scupper

SKU: S96

NOT TO SCALE



SPECIFICATIONS:

Product Weight	: 4.5 lbs
Product Dimensions	: 7 in. Projection x 7.75 in. Back Plate Diameter
Material	: Bronze
Connection	: 1-1/2 in. Female NPT W/ ABS Socket
Flow	: 3-5 GPM
Grounding Lug	: Yes

FINISHES:

<input type="checkbox"/> Oil Rubbed Bronze	<input type="checkbox"/> Pewter
<input type="checkbox"/> Almost Black	<input type="checkbox"/> Penny Copper
<input type="checkbox"/> Distressed Copper	<input type="checkbox"/> In The Raw
<input type="checkbox"/> Antique Brass	<input type="checkbox"/> Special Finish

<https://blackoakfoundry.com/product/acanthus-scupper/>

NOTES:

1. Installation to be completed in accordance to all applicable building codes.
2. Actual product may vary slightly from this drawing.