



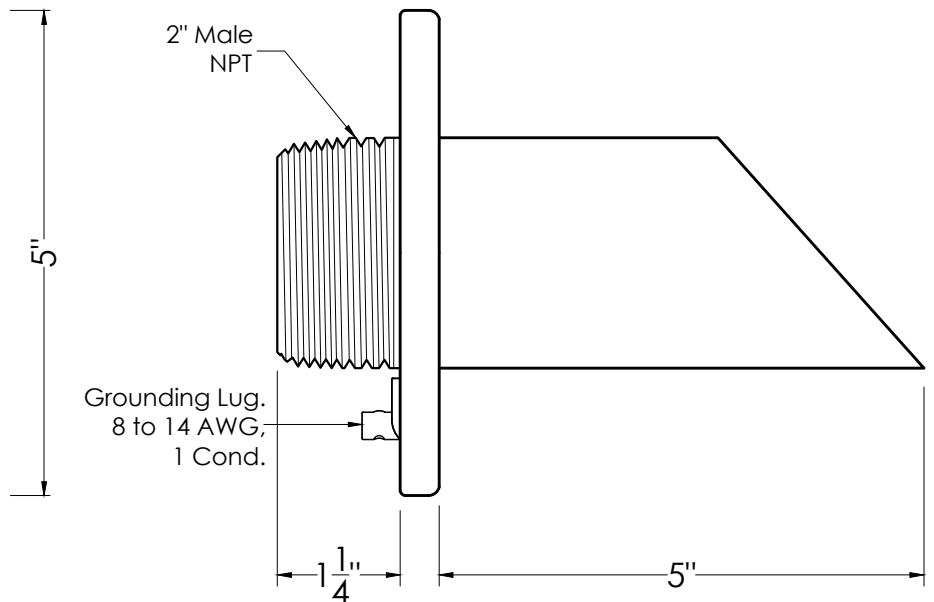
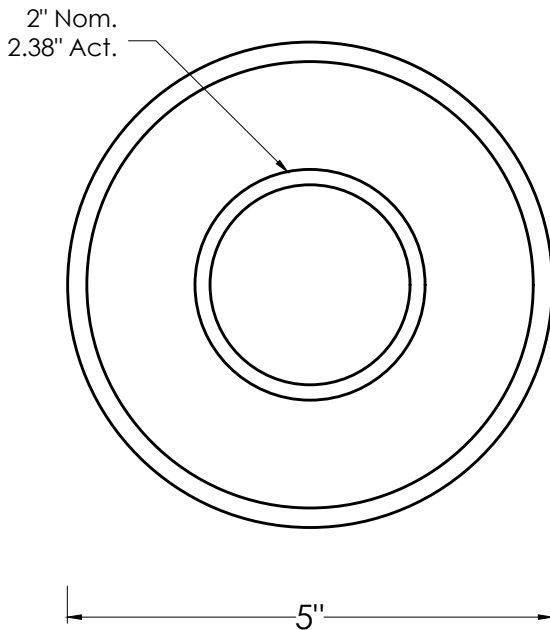
Black Oak Foundry

4757 South Crestview Road
 Atoka, OK 74525
 (949) 305-7372
 Sales@BlackOakFoundry.com
 www.BlackOakFoundry.com



Deco Roman

SKU: S904 NOT TO SCALE



SPECIFICATIONS:

Product Weight : 3 lbs
 Product Dimensions : 5 in. Projection x 5 in. Back Plate Diameter
 Material : Bronze, Brass
 Connection : 2 in. Male NPT
 Flow : 3-8 GPM
 Grounding Lug : Yes

FINISHES:

- | | |
|--|---|
| <input type="checkbox"/> Oil Rubbed Bronze | <input type="checkbox"/> Pewter |
| <input type="checkbox"/> Almost Black | <input type="checkbox"/> Penny Copper |
| <input type="checkbox"/> Distressed Copper | <input type="checkbox"/> In The Raw |
| <input type="checkbox"/> Antique Brass | <input type="checkbox"/> Special Finish |

<https://blackoakfoundry.com/product/deco-roman/>

NOTES:

1. Installation to be completed in accordance to all applicable building codes.
2. Actual product may vary slightly from this drawing.