



# Black Oak Foundry

4757 South Crestview Road  
Atoka, OK 74525  
(949) 305-7372

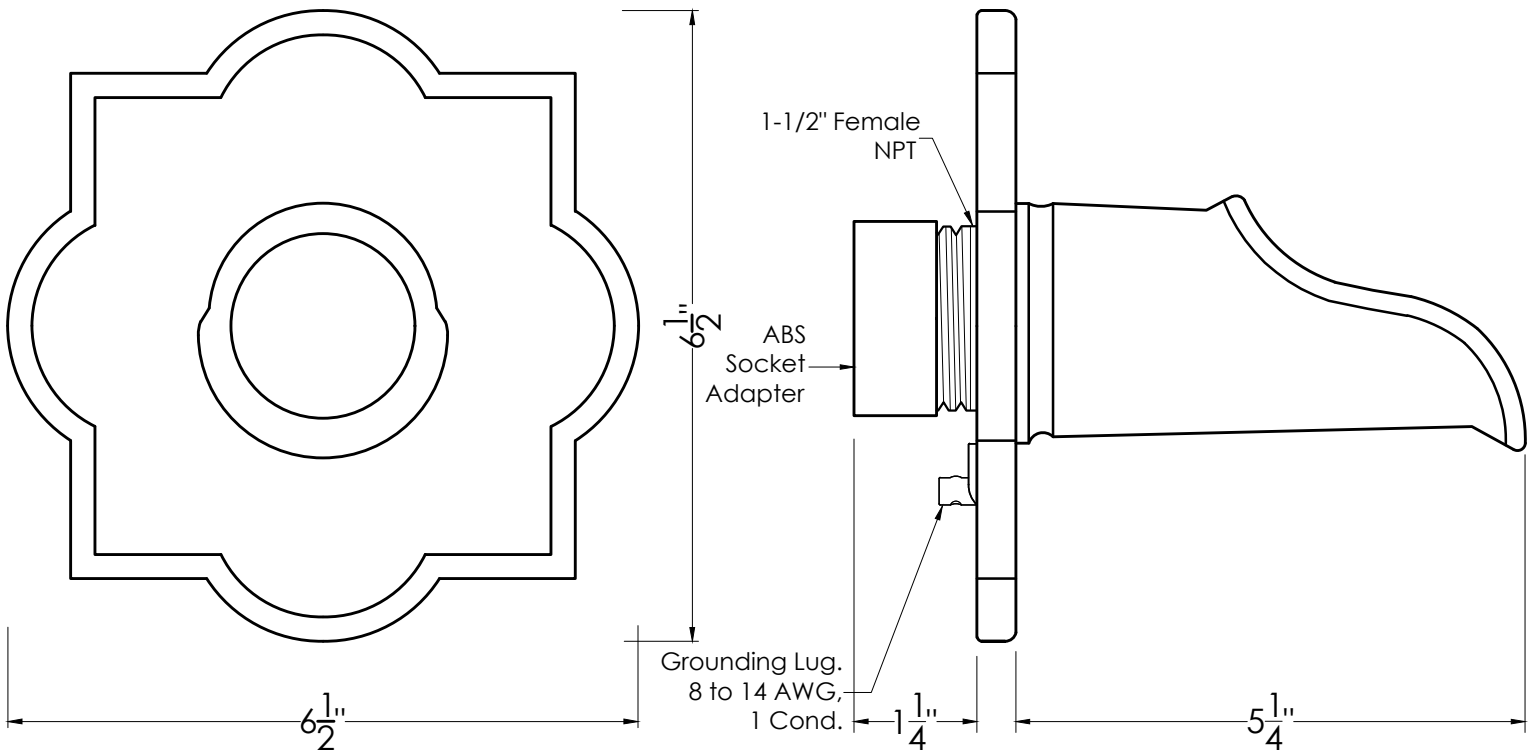
Sales@BlackOakFoundry.com  
www.BlackOakFoundry.com



## Mission Scupper

SKU: S54

NOT TO SCALE



### SPECIFICATIONS:

Product Weight : 3.5 lbs  
Product Dimensions : 5.25 in. Projection x 6.5 in. Back Plate Diameter  
Material : Bronze  
Connection : 1 1/2 in. Female NPT W/ ABS Socket  
Flow : 3-5 GPM  
Grounding Lug : Yes

### FINISHES:

Oil Rubbed Bronze  Pewter  
 Almost Black  Penny Copper  
 Distressed Copper  In The Raw  
 Antique Brass  Special Finish

<https://blackoakfoundry.com/product/mission-scupper/>

### NOTES:

1. Installation to be completed in accordance to all applicable building codes.
2. Actual product may vary slightly from this drawing.