



# Black Oak Foundry

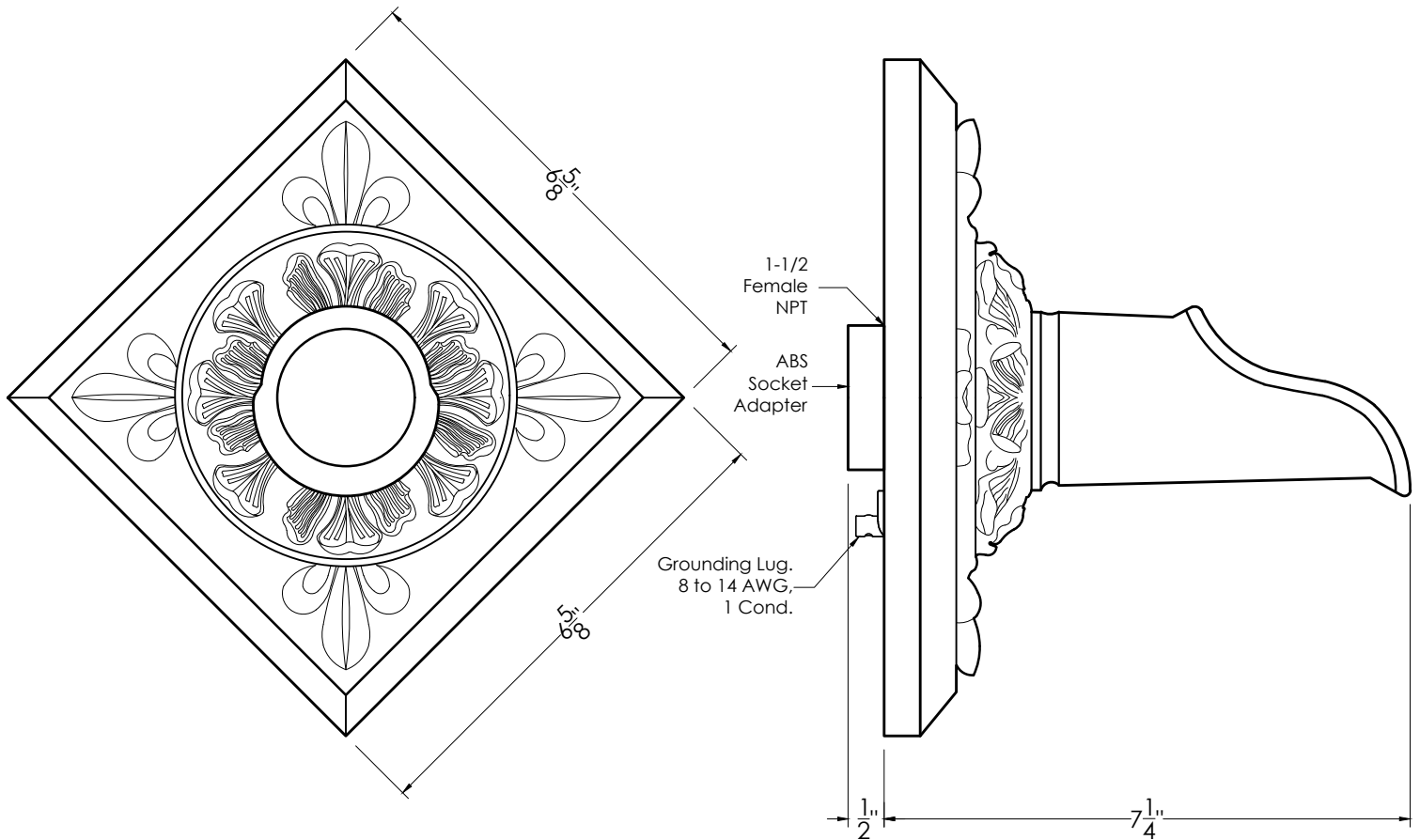
4757 South Crestview Road  
 Atoka, OK 74525  
 (949) 305-7372  
 Sales@BlackOakFoundry.com  
 www.BlackOakFoundry.com



## Oak Leaf Scupper - Diamond

SKU: S52-A

NOT TO SCALE



### SPECIFICATIONS:

Product Weight : 6 lbs  
 Product Dimensions : 7.25 in. Projection x 6.625 in. Diamond Back Plate  
 Material : Bronze  
 Connection : 1-1/2 in. Female NPT W/ ABS Socket  
 Flow : 3-5 GPM  
 Grounding Lug : Yes

### FINISHES:

- |  |   |
|--|---|
| <input type="checkbox"/> Oil Rubbed Bronze | <input type="checkbox"/> Pewter         |
| <input type="checkbox"/> Almost Black      | <input type="checkbox"/> Penny Copper   |
| <input type="checkbox"/> Distressed Copper | <input type="checkbox"/> In The Raw     |
| <input type="checkbox"/> Antique Brass     | <input type="checkbox"/> Special Finish |

<https://blackoakfoundry.com/product/oak-leaf-scupper-diamond/>

### NOTES:

1. Installation to be completed in accordance to all applicable building codes.
2. Actual product may vary slightly from this drawing.