



# Black Oak Foundry

4757 South Crestview Road  
Atoka, OK 74525  
(949) 305-7372

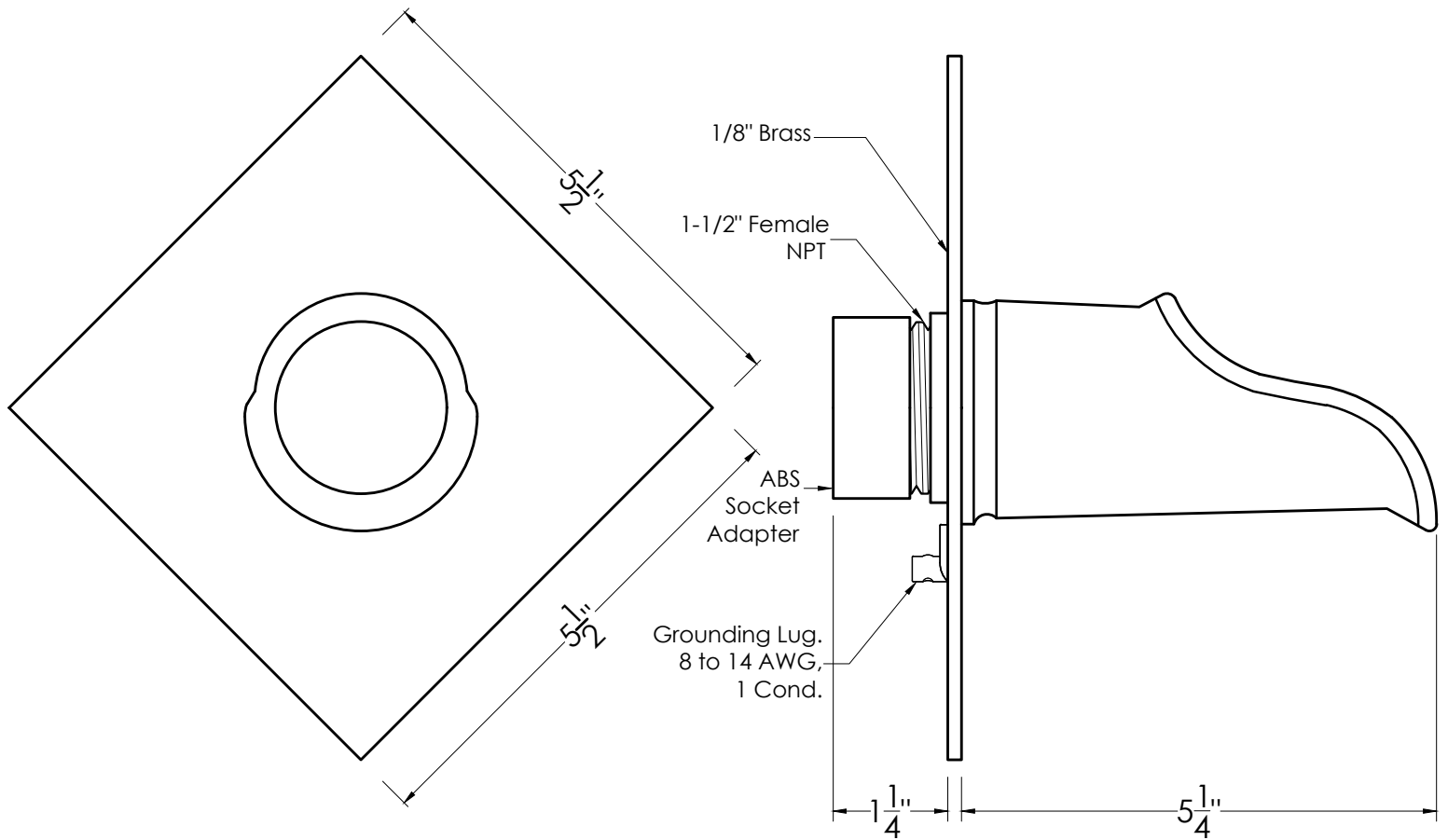
Sales@BlackOakFoundry.com  
www.BlackOakFoundry.com



## Roman Scupper with Diamond Backplate

SKU: S55-Diamond

NOT TO SCALE



### SPECIFICATIONS:

|                    |   |  |
|--------------------|---|--|
| Product Weight     | : | 3 lbs  |
| Product Dimensions | : | 5.25 in. Projection x 5.5 in. Diamond Back Plate |
| Material           | : | Bronze   |
| Connection         | : | 1 1/2 in. Female NPT W/ ABS Socket               |
| Flow               | : | 3-5 GPM  |
| Grounding Lug      | : | Yes  |
| Customizable       | : | Yes- Backplate Only                              |

### FINISHES:

|  |   |
|--|---|
| <input type="checkbox"/> Oil Rubbed Bronze | <input type="checkbox"/> Pewter         |
| <input type="checkbox"/> Almost Black      | <input type="checkbox"/> Penny Copper   |
| <input type="checkbox"/> Distressed Copper | <input type="checkbox"/> In The Raw     |
| <input type="checkbox"/> Antique Brass     | <input type="checkbox"/> Special Finish |

<https://blackoakfoundry.com/product/roman-scupper-with-diamond-backplate/>

### NOTES:

1. Installation to be completed in accordance to all applicable building codes.
2. Actual product may vary slightly from this drawing.