



# Black Oak Foundry

4757 South Crestview Road  
Atoka, OK 74525  
(949) 305-7372

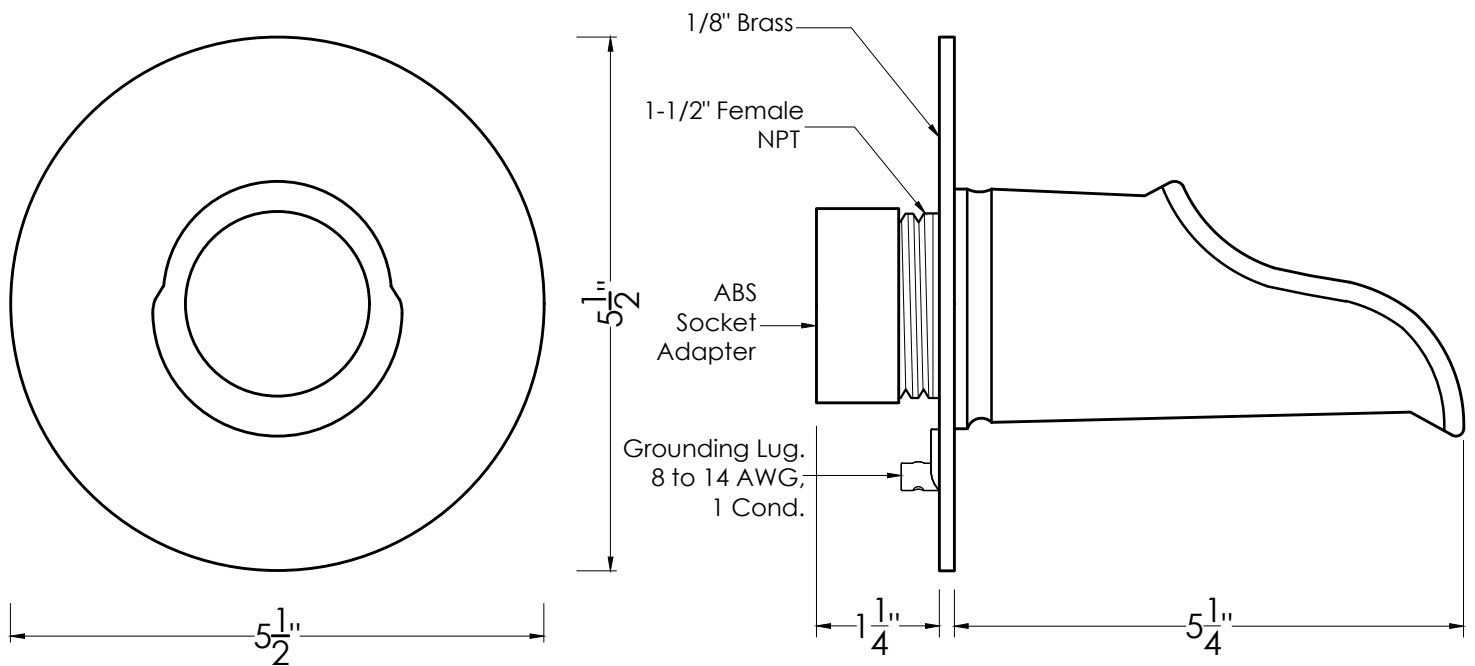
Sales@BlackOakFoundry.com  
www.BlackOakFoundry.com



## Roman Scupper with Round Backplate

SKU: S55-Round

NOT TO SCALE



### SPECIFICATIONS:

Product Weight	:	3 lbs
Product Dimensions	:	5.25 in. Projection x 5.5 in. Back Plate Diameter
Material	:	Bronze
Connection	:	1-1/2 in. Female NPT W/ ABS Socket
Flow	:	3-5 GPM
Grounding Lug	:	Yes
Customizable	:	Yes- Backplate Only

### FINISHES:

<input type="checkbox"/> Oil Rubbed Bronze	<input type="checkbox"/> Pewter
<input type="checkbox"/> Almost Black	<input type="checkbox"/> Penny Copper
<input type="checkbox"/> Distressed Copper	<input type="checkbox"/> In The Raw
<input type="checkbox"/> Antique Brass	<input type="checkbox"/> Special Finish

<https://blackoakfoundry.com/product/roman-scupper-with-round-backplate/>

### NOTES:

1. Installation to be completed in accordance to all applicable building codes.
2. Actual product may vary slightly from this drawing.