



Black Oak Foundry

4757 South Crestview Road
Atoka, OK 74525
(949) 305-7372

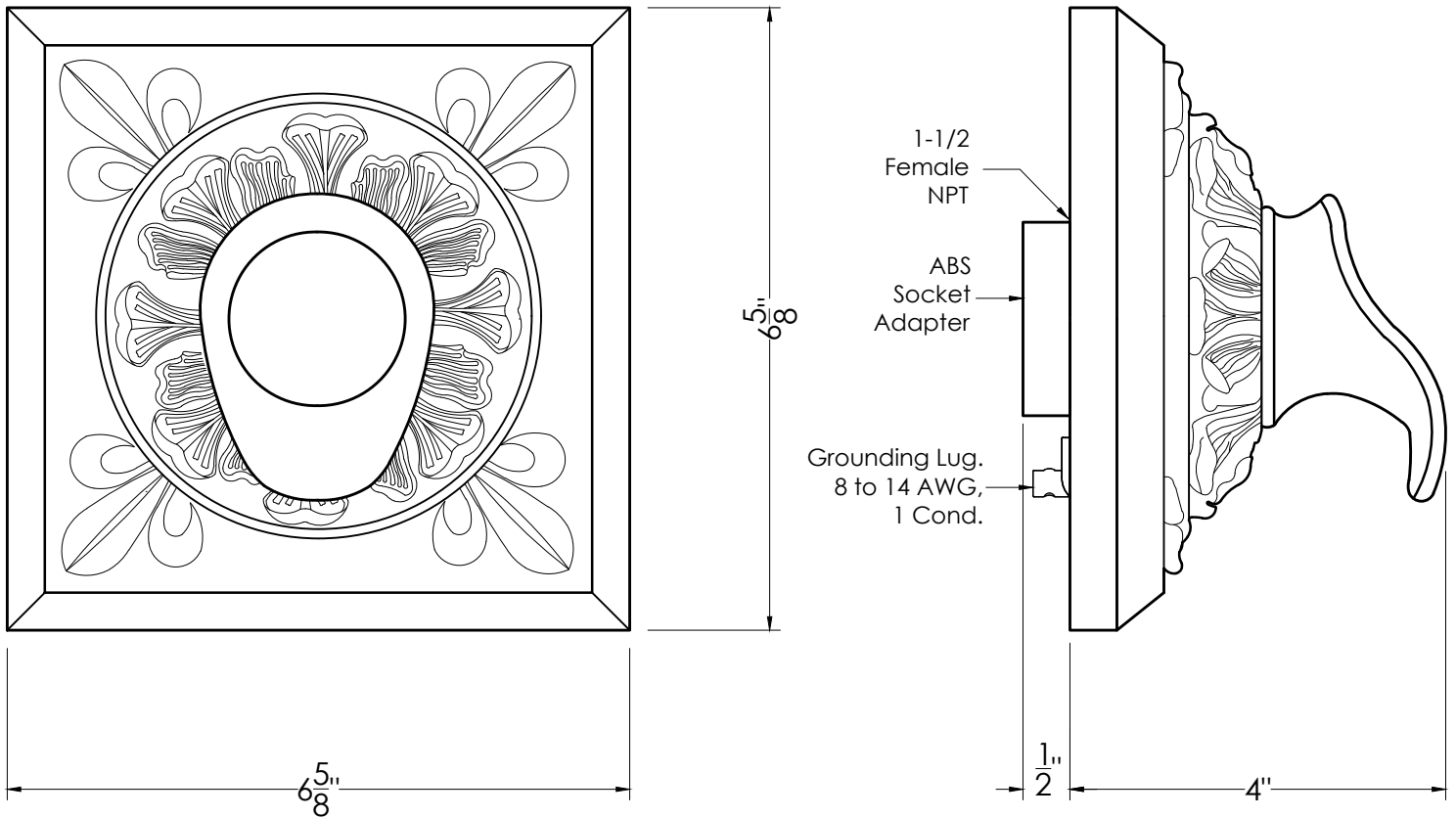
Sales@BlackOakFoundry.com
www.BlackOakFoundry.com



Short Oak Leaf Scupper - Square

SKU: S61-Square

NOT TO SCALE



SPECIFICATIONS:

| | | |
|--------------------|---|--|
| Product Weight | : | 6 lbs |
| Product Dimensions | : | 4 in. Projection x 6.625 in. Square Back Plate |
| Material | : | Bronze |
| Connection | : | 1-1/2 in. Female NPT W/ ABS Socket |
| Flow | : | 3-5 GPM |
| Grounding Lug | : | Yes |

FINISHES:

| | |
|--|---|
| <input type="checkbox"/> Oil Rubbed Bronze | <input type="checkbox"/> Pewter |
| <input type="checkbox"/> Almost Black | <input type="checkbox"/> Penny Copper |
| <input type="checkbox"/> Distressed Copper | <input type="checkbox"/> In The Raw |
| <input type="checkbox"/> Antique Brass | <input type="checkbox"/> Special Finish |

<https://blackoakfoundry.com/product/short-oak-leaf-scupper-square/>

NOTES:

1. Installation to be completed in accordance to all applicable building codes.
2. Actual product may vary slightly from this drawing.