



Black Oak Foundry

4757 South Crestview Road
Atoka, OK 74525
(949) 305-7372

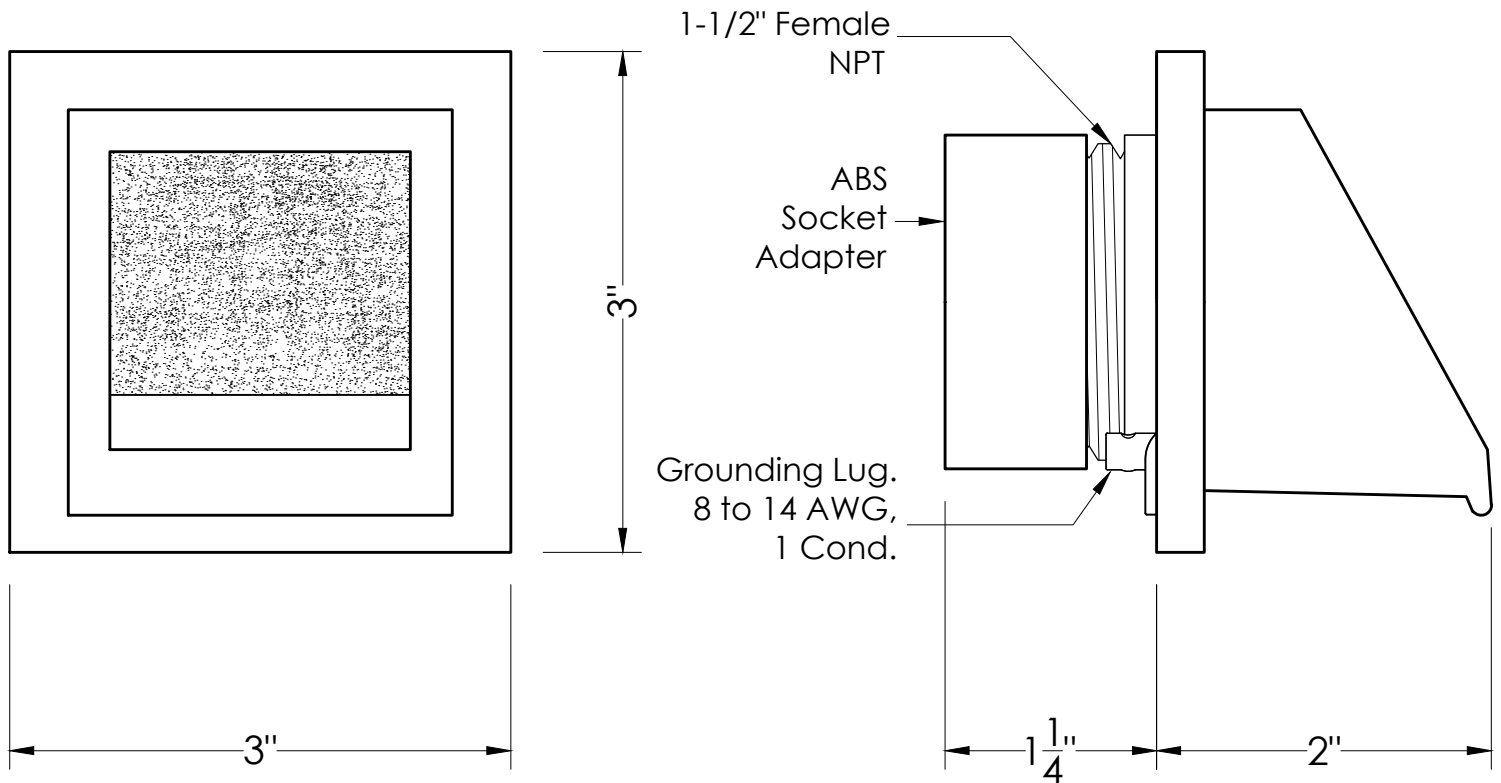
Sales@BlackOakFoundry.com
www.BlackOakFoundry.com



Short Square Scupper Bare

SKU: S65-Bare

NOT TO SCALE



SPECIFICATIONS:

Product Weight : 1.5 lbs
 Product Dimensions : 2 in. Projection x 3 in. Width and Height
 Material : Bronze
 Connection : 1-1/2 in. Female NPT W/ ABS Socket
 Flow : 3-5 GPM
 Grounding Lug : Yes

FINISHES:

- | | |
|--|---|
| <input type="checkbox"/> Oil Rubbed Bronze | <input type="checkbox"/> Pewter |
| <input type="checkbox"/> Almost Black | <input type="checkbox"/> Penny Copper |
| <input type="checkbox"/> Distressed Copper | <input type="checkbox"/> In The Raw |
| <input type="checkbox"/> Antique Brass | <input type="checkbox"/> Special Finish |

<https://blackoakfoundry.com/product/short-square-scupper-bare/>

NOTES:

1. Installation to be completed in accordance to all applicable building codes.
2. Actual product may vary slightly from this drawing.