



Black Oak Foundry

4757 South Crestview Road

Atoka, OK 74525

(949) 305-7372

Sales@BlackOakFoundry.com

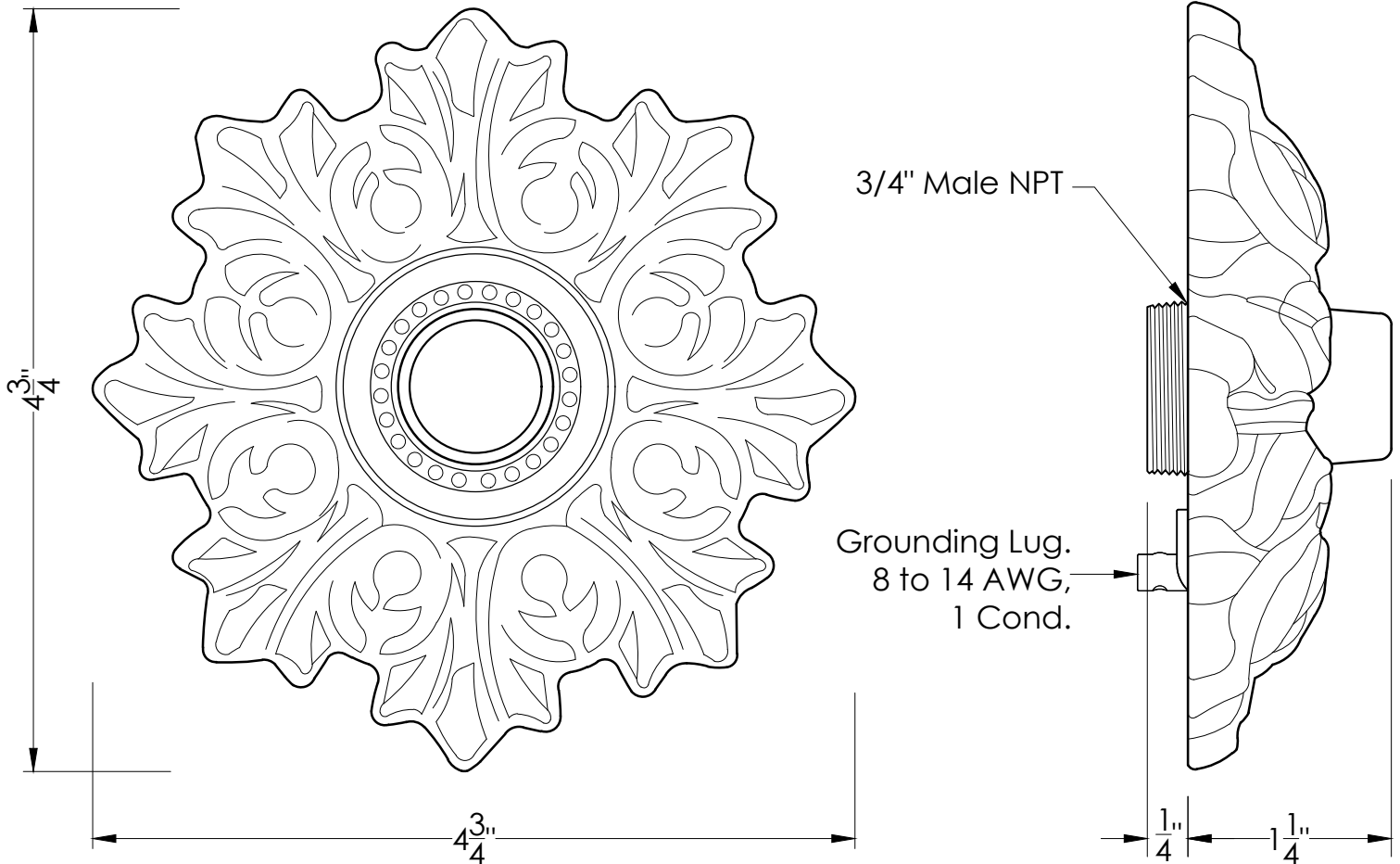
www.BlackOakFoundry.com



Bordeaux Emitter

SKU: S84

NOT TO SCALE



SPECIFICATIONS:

Product Weight	: 2.5 lbs
Product Dimensions	: 1.5 in. Projection x 4.75 in. Back Plate Diameter
Material	: Bronze
Connection	: 3/4 in. Male NPT
Flow	: 2-3 GPM
Grounding Lug	: Yes

FINISHES:

<input type="checkbox"/> Oil Rubbed Bronze	<input type="checkbox"/> Pewter
<input type="checkbox"/> Almost Black	<input type="checkbox"/> Penny Copper
<input type="checkbox"/> Distressed Copper	<input type="checkbox"/> In The Raw
<input type="checkbox"/> Antique Brass	<input type="checkbox"/> Special Finish

<https://blackoakfoundry.com/product/bordeaux-emitter/>

NOTES:

1. Installation to be completed in accordance to all applicable building codes.
2. Actual product may vary slightly from this drawing.