



Black Oak Foundry

4757 South Crestview Road
Atoka, OK 74525
(949) 305-7372

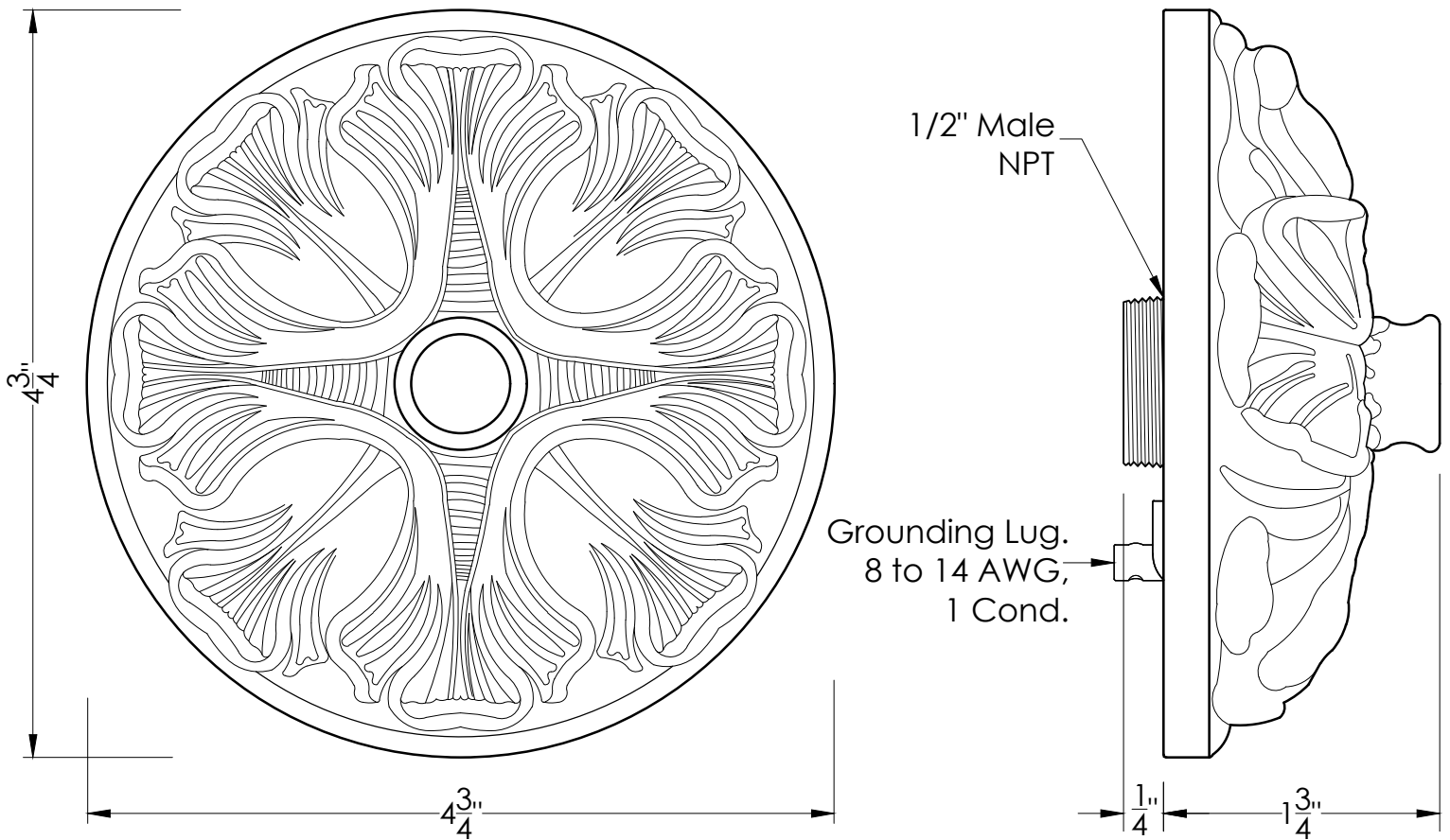
Sales@BlackOakFoundry.com
www.BlackOakFoundry.com



Mini Oak Leaf Emitter

SKU: M222

NOT TO SCALE



SPECIFICATIONS:

| | | |
|--------------------|---|--|
| Product Weight | : | 1.5 lbs |
| Product Dimensions | : | 1.75 in. Projection x 4.75 in. Back Plate Diameter |
| Material | : | Bronze |
| Connection | : | 1/2 in. Male |
| Flow | : | 1-2 GPM |
| Grounding Lug | : | Yes |

FINISHES:

| | |
|--|---|
| <input type="checkbox"/> Oil Rubbed Bronze | <input type="checkbox"/> Pewter |
| <input type="checkbox"/> Almost Black | <input type="checkbox"/> Penny Copper |
| <input type="checkbox"/> Distressed Copper | <input type="checkbox"/> In The Raw |
| <input type="checkbox"/> Antique Brass | <input type="checkbox"/> Special Finish |

<https://blackoakfoundry.com/product/mini-oak-leaf-emitter/>

NOTES:

1. Installation to be completed in accordance to all applicable building codes.
2. Actual product may vary slightly from this drawing.