



Black Oak Foundry

4757 South Crestview Road
Atoka, OK 74525
(949) 305-7372

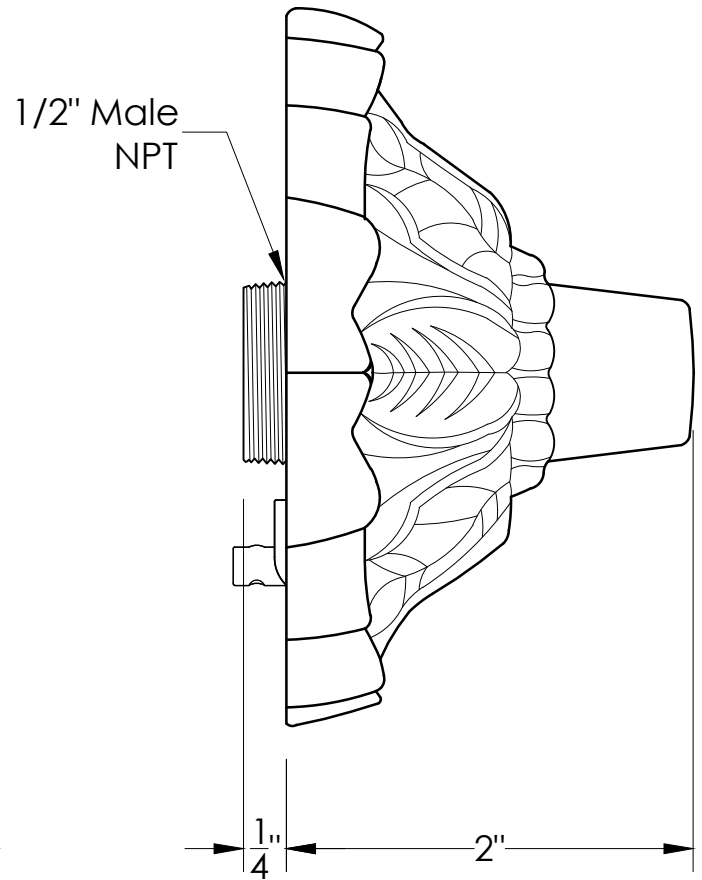
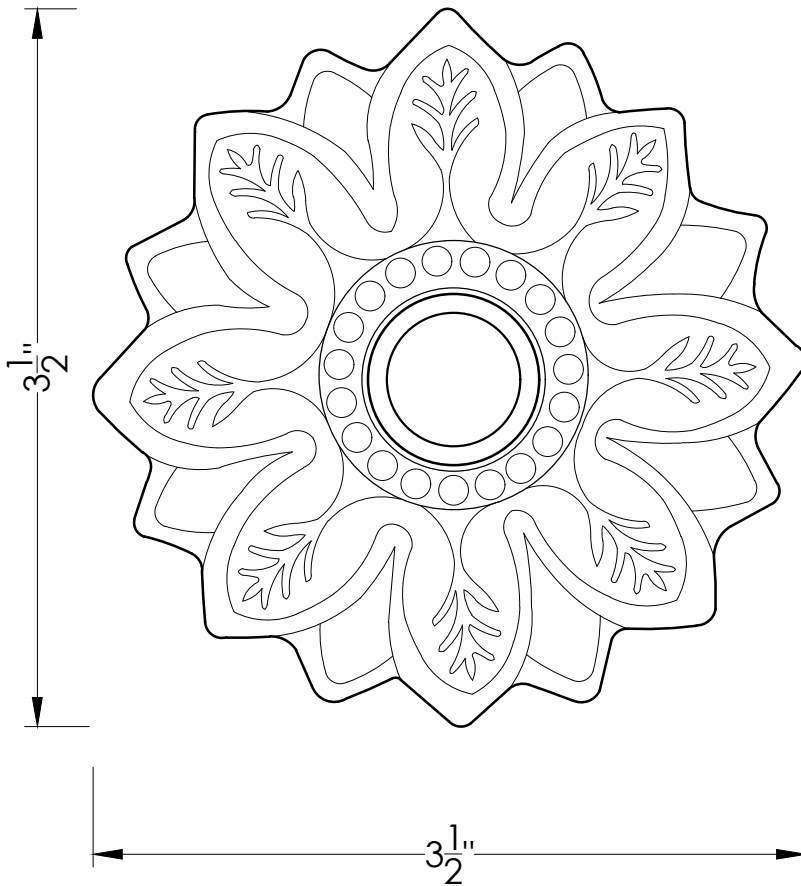
Sales@BlackOakFoundry.com
www.BlackOakFoundry.com



Nikila Emitter - Small

SKU: S80

NOT TO SCALE



SPECIFICATIONS:

Product Weight : 1.0 lbs.
Product Dimensions : 2 in. Projection x 3.5 in. Back Plate Diameter
Material : Bronze
Connection : 1/2 in. Male NPT
Flow : 1-2 GPM
Grounding Lug : No unless requested

FINISHES:

- | | |
|--|---|
| <input type="checkbox"/> Oil Rubbed Bronze | <input type="checkbox"/> Pewter |
| <input type="checkbox"/> Almost Black | <input type="checkbox"/> Penny Copper |
| <input type="checkbox"/> Distressed Copper | <input type="checkbox"/> In The Raw |
| <input type="checkbox"/> Antique Brass | <input type="checkbox"/> Special Finish |

<https://blackoakfoundry.com/product/nikila-emitter-small/>

NOTES:

1. Installation to be completed in accordance to all applicable building codes.
2. Actual product may vary slightly from this drawing.