



# Black Oak Foundry

4757 South Crestview Road

Atoka, OK 74525

(949) 305-7372

Sales@BlackOakFoundry.com

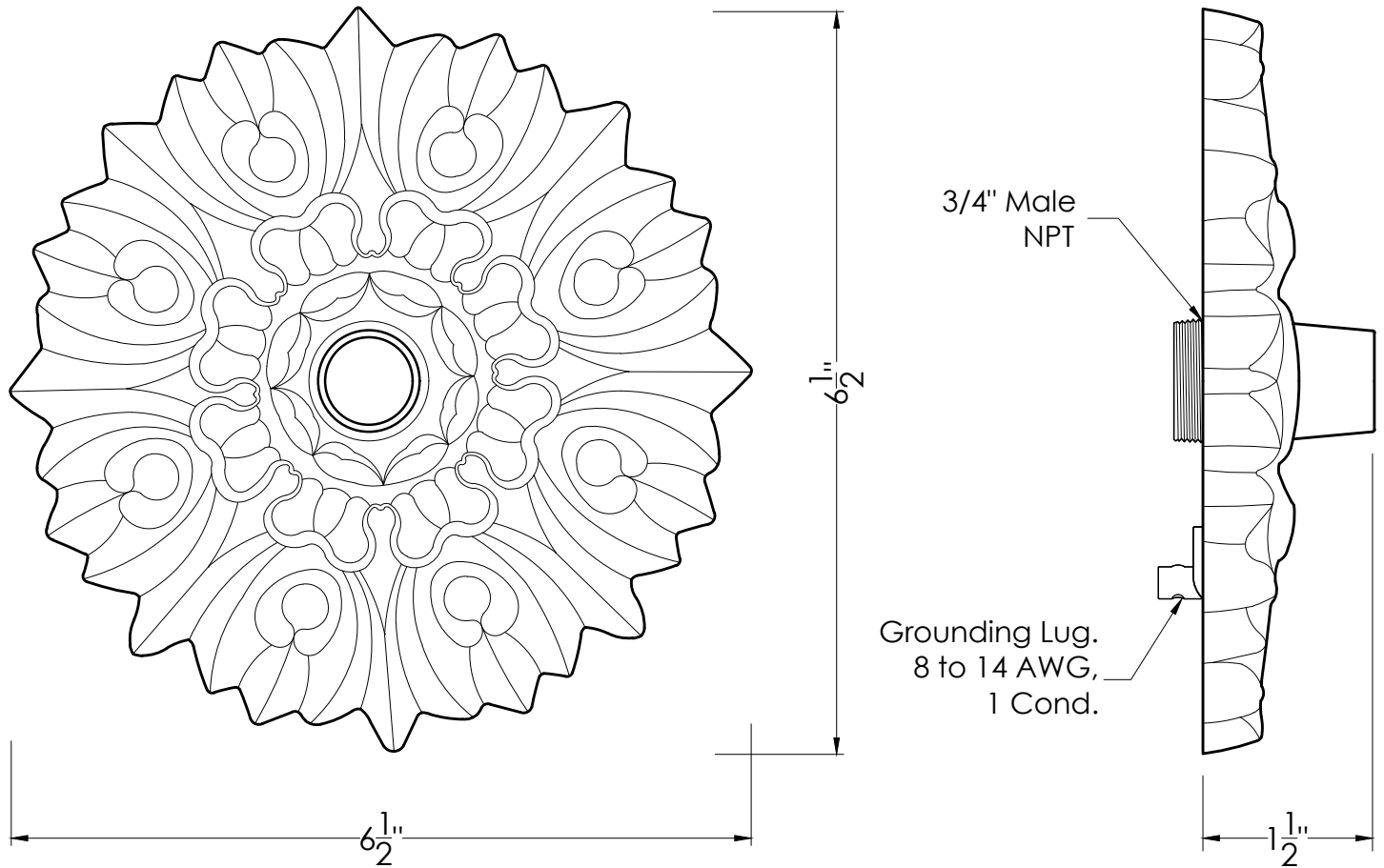
www.BlackOakFoundry.com



## Versailles Emitter

SKU: S85

NOT TO SCALE



### SPECIFICATIONS:

Product Weight	:	3.5 lbs
Product Dimensions	:	1.5 in. Projection x 6.5 in. Back Plate Diameter
Material	:	Bronze
Connection	:	3/4 in. Male NPT
Flow	:	2-3 GPM
Grounding Lug	:	Yes

### FINISHES:

<input type="checkbox"/> Oil Rubbed Bronze	<input type="checkbox"/> Pewter
<input type="checkbox"/> Almost Black	<input type="checkbox"/> Penny Copper
<input type="checkbox"/> Distressed Copper	<input type="checkbox"/> In The Raw
<input type="checkbox"/> Antique Brass	<input type="checkbox"/> Special Finish

<https://blackoakfoundry.com/product/versailles-emitter/>

### NOTES:

1. Installation to be completed in accordance to all applicable building codes.
2. Actual product may vary slightly from this drawing.